

6000

Street Sweepers



DULEVO
FAYAT GROUP

TIMELESS QUALITY THROUGH PASSION



ENVIRONMENT
Reduced environmental impact

The Dulevo 6000's high technology and latest-generation motorisation allows for an environmentally friendly machine.

Reduced consumption of water

Dulevo's mechanical vacuum system allows the machine to work while drastically reducing water consumption.



Low emissions of fine dust

EN15429 certified filtration system.
Possibility of mounting e-PTFE membrane filters to increase performance.

Low consumption fuel consumption

Electronic transmission and high sweeping speed.





PRODUCTIVITY
Efficiency
everywhere

The only sweeper in the world that combines manoeuvrability, economy and reliability with superior sweeping quality.



Savings in consumption of water

Water use is limited to dust removal on the outer brushes.

12 months of use

The possibility of sweeping without the use of water allows work even in periods of low outside temperatures.

High efficiency of filtration

Dust filter for constant and effective filtration in all conditions.

No limit of sweeping

Light, heavy and even bulky material can be collected.



QUALITY OF LIFE ON BOARD

Designed for People

A comfortable and pleasant sweeper to use even after many hours of work.



Pressurisation system

The pressurisation system by means of filtered air supply maintains a clean and comfortable working environment inside the cabin.

Extremely low noise level

The small size of the powerful intake turbine, plus its positioning and appropriate shielding, reduce the noise level of the vehicle to extremely low levels.

Intuitive controls

With large glass surfaces and simple, intuitive controls.

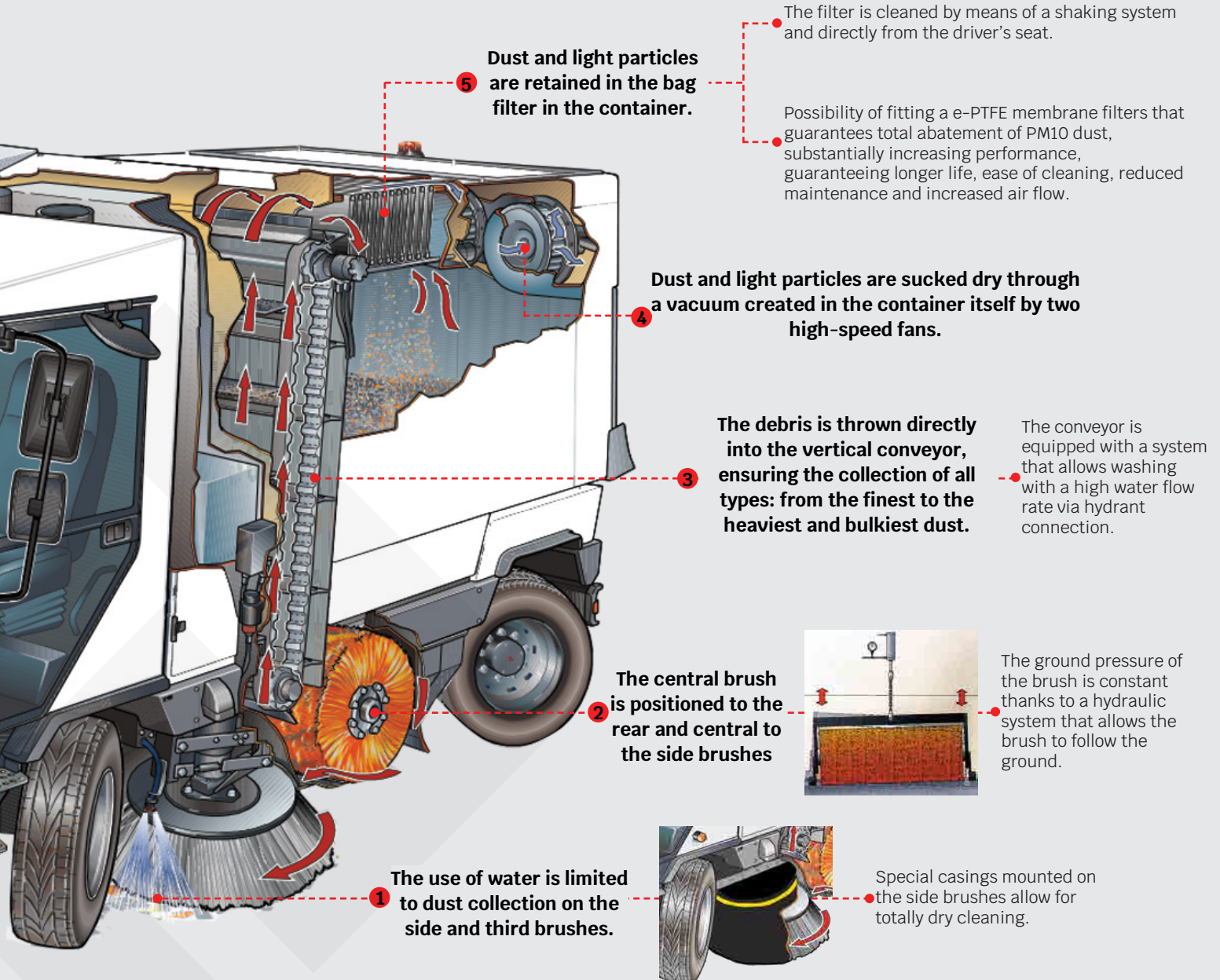
PATENTED TECHNOLOGY

Mechanical-suction-filtering system

Thanks to the merits and advantages of the combined mechanical-suction-filtering collection system, the Dulevo 6000 is the ideal machine for tackling the most diverse urban applications in terms of type and seasonal conditions: street sweeping in summer in the presence of sand and dust, autumn accumulations of leaves and pine needles, waste collection after local markets, through to winter sweeping in particularly cold temperatures.



in short:



Combi equipment

The Combi equipment combines sweeping, washing and sanitising functions. The machine, with one operator and directly from the driver's seat, can sweep and wash/sanitise at the same time and in a single operating step.



The high-pressure lance with facilitating arm allows a second operator to wash and sanitise pavements even in the presence of parked cars.

Technical Data

- Washing track mm 2100
- Water tank capacity mm 1050 ÷ 1150

OTHER SUGGESTED CONFIGURATIONS

Our experience has led us to develop configurations that suit different cleaning areas, types of dirt to be cleaned, and general customer needs.



Municipal Equipment

Suggested configuration for municipal and urban centers

- Hydraulic dumping up to 2400 mm
- 180° Right hand/Left hand front extendable brush unit with mirror
- Water sprinkling system for side brushes
- Water sprinkling extension for right hand front extendable brush unit
- Suction system without hose Ø 150 mm hose - Length 5 mt
- Centralized manual greasing system without pump
- e-PTFE membrane filters
- Radio with USB and Bluetooth



Airport Equipment

Suggested configuration for airports

- Hydraulic dumping up to 2400 mm
- 180° Right hand/Left hand front extendable brush unit with mirror
- Rubber skid for central brush
- Water sprinkling system for side brushes
- Water sprinkling extension for right hand front extendable brush unit
- High pressure washing system with gun and reel 11 mt
- Suction system without hose Ø 150 mm hose - Length 5 mt
- Centralized manual greasing system without pump
- Rear magnetic bar
- Customized painting (no chassis)
- Reflecting stripes
- PPL side brushes



Cement Equipment

Suggested configuration for cement, ceramic sector or where water can not be used

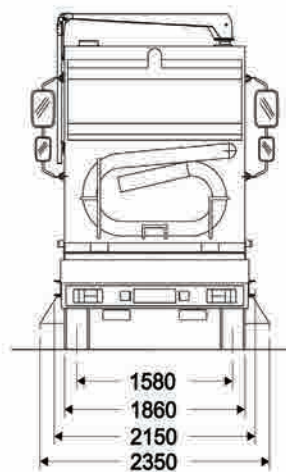
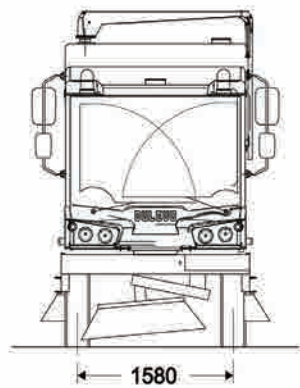
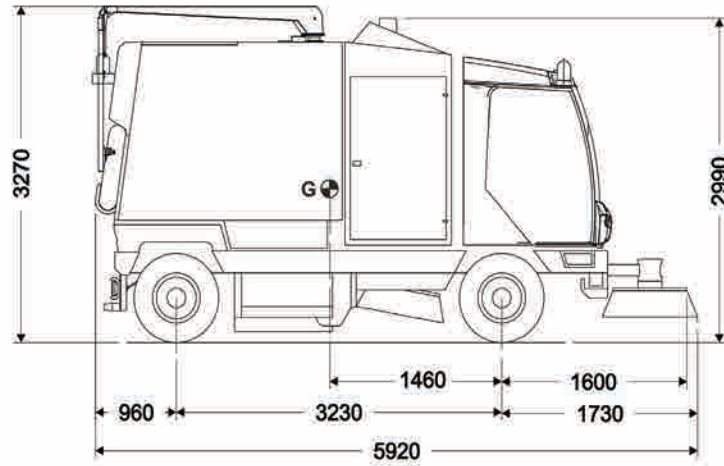
- Side brushes casings (sweeping width reduced to 2250 mm)
- Suction system without hose Ø 150 mm hose - Length 5 mt
- Additional Vortex pre-filter for endothermic engine
- Centralized manual greasing system without pump
- e-PTFE membrane filters



Heavy industry Equipment

Suggested configuration for heavy industry or the metallurgical sector

- Hydraulic dumping up to 2400 mm
- Water sprinkling system for side brushes
- Suction system without hose Ø 150 mm hose - Length 5 mt
- Additional Vortex pre-filter for endothermic engine
- Centralized manual greasing system without pump
- Pneumatic tyres with foam
- e-PTFE membrane filters



Technical data		6000 EU4	6000Euro6
Sweeping width			
- With central brush	mm	1.300	
- With central brush and side brushes	mm	2.600	
- With central, side brushes and third brush	mm	3.500	
Gross container volume	m ³	6,2	
Dumping height (OPT.)	mm	1.150 (2.400)	
Seats in the cabin	n°	2 (3)	
Cleaning performance	m ² /h	105.000	
Steering diameter -kerb to kerb-	mm	9.360	
Maximum speed	Km/h	25 - 42	
PM10 & PM 2.5 filtration - EN 15429-3		EUnited 4 STAR	
Engine Brand		FPT industrial (Iveco)	
Engine emissions		Stage IIIA (EU4)	Euro6E
Fuel		DIESEL	

Dulevo Fayat Group

Dulevo was founded in 1976 and is now part of the Fayat Group, France's largest privately-owned construction, industrial and road infrastructure group. The knowledge of cleaning technology acquired by Dulevo, based in Parma in the heart of Italy's Motor Valley, forms the basis of our state-of-the-art vehicles. Our slogan, 'Timeless Quality through Passion', reflects our commitment to providing innovative, high quality cleaning solutions to municipalities and industry, with a focus on environmental care.



Specifications are not binding for our company and subject to change at any time without notice.



DULEVO
FAYAT GROUP

Dulevo International S.p.A.
Via Giovannino Guareschi, 1
43012 Fontanellato (PR) Italia
Tel: +39-0521-827711
www.dulevo.com

QUALITY, INNOVATION AND RESPECT FOR THE ENVIRONMENT

Dulevo Certifications:

ISO 14001
ENVIRONMENTAL
SYSTEM
CERTIFICATION



ISO 9001
QUALITY
SYSTEM
CERTIFICATION



ISO 45001
SAFETY
SYSTEM
CERTIFICATION



EUnited PM TEST
COLLECTION AND
FILTRATION
DUST

